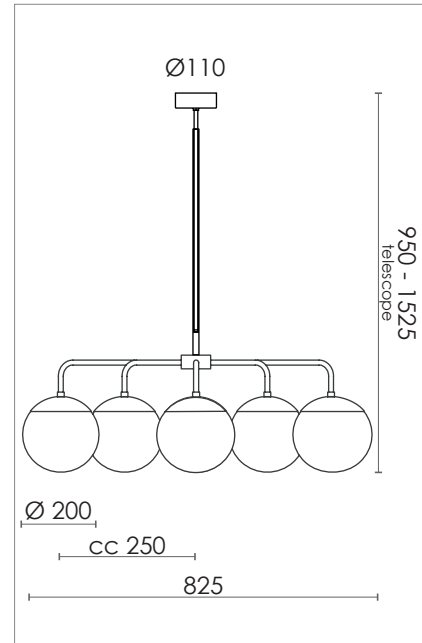
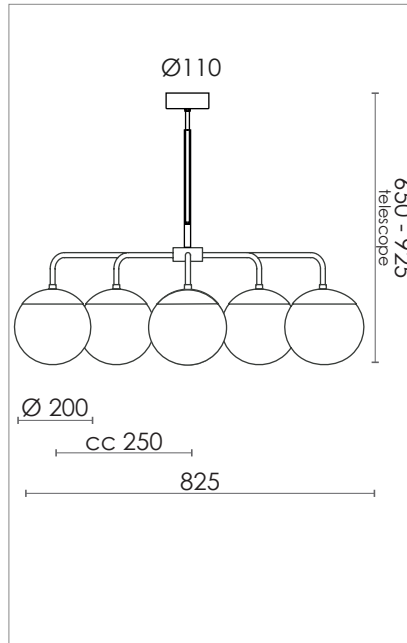
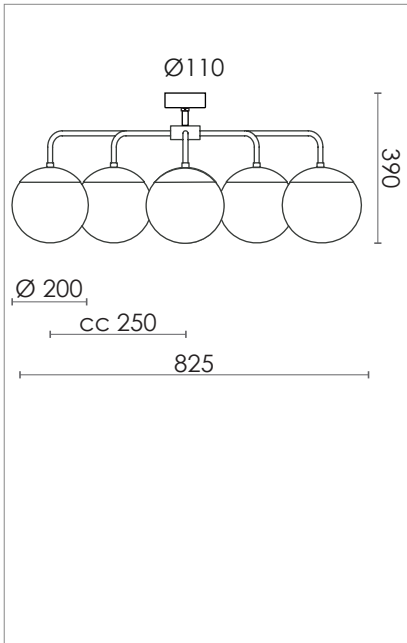


LORD 5 CHANDELIER



DESIGN SPECIFICATIONS

DIMENSIONS (mm)	W 825 x H 390 W 825 x H 650 - 925 W 825 x H 950 - 1525 SHADE Ø 200
WEIGHT (kg)	- / - / -
MATERIALS	THE LAMP IS MADE FROM GLASS, CLEAR LACQURED BRASS, STEEL OR POWDER COATED STEEL.
CORD (mm)	NO
ENVIRONMENT	INDOOR
DESIGN BY	NICLAS HOFLIN
DESIGN YEAR	2016

ELECTRICAL SPECIFICATIONS

SWITCH	NO
BULB HOLDER	E 27
LIGHT SOURCE	INCLUDED DIMMABLE
SMOKED GLASS	5 x 4 W LED -2200 K
BROWN GLASS	5 x 4 W LED -2200 K
OPAL GLASS	5 x 8,5 W LED -2700 K
DIMMABLE	YES
MAX (W)	50 W LED
VOLTAGE	230 / 240
CLASS	1
IP	20

COLOURS



BLACK / OPAL GLASS H 390 ART.NO. 218151005

H 650-925 ART.NO. 218152005

H 950-1525 ART.NO. 218153005



BLACK / SMOKED GLASS H 390 ART.NO. 218151105

H 650-925 ART.NO. 218152105

H 950-1525 ART.NO. 218153105



BRASS / OPAL GLASS H 390 ART.NO. 218151001

H 650-925 ART.NO. 218152001

H 950-1525 ART.NO. 218153001



BRASS / BROWN GLASS H 390 ART.NO. 218151201

H 650-925 ART.NO. 218152201

H 950-1525 ART.NO. 218153201